



# EXLITE DELTA IP66



## Type A Sign Light

230V

EL-D-LED6

### Specification:

Conforms to BS EN 12899-1:2007

Case material: Aluminium, powder coated grey or black as standard  
 Lens material: High impact polycarbonate hinged lens  
 Ingress protection: IP66  
 Corrosion resistance: SP2  
 Fixings: M8 x 20mm Anti-corrosion, Anti-Rotational  
 Mounting options: Single or double 76mm - 89mm diameter post top/through bracket  
 Wall mount bracket  
 TESPA (banding or clamp)

Compatibility: Photocell (optional)  
 CMS / DALI (optional)

Gear Tray: 3 LED gear tray complete with quick connect plug + socket  
 Nominal life expectancy: 50,000+ hrs.  
 Voltage: 230 VAC  
 Power consumption: 4.5w  
 Power factor correction: ≥0.84

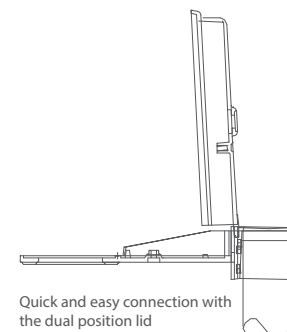
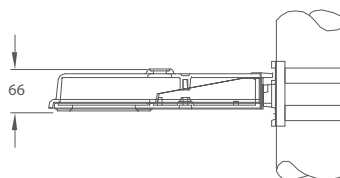
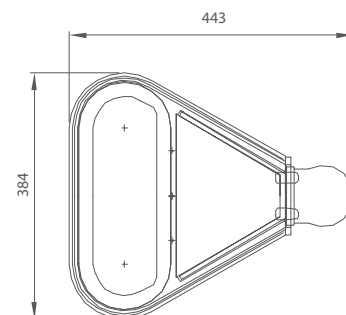
Colour rendering index: RA60

Charge code: 42 0005 0000 100

Recyclable: Yes

Warranty: [www.mallatite.co.uk/certificates-warranty](http://www.mallatite.co.uk/certificates-warranty)

Maintenance: Clean external surfaces with a diluted mild detergent as required, paying particular attention to the lens and photocell window.



	Mean Illuminance	Uniformity of illuminance:
600mm circle	E2	UE3
750mm circle	E2	UE3
900mm circle	E2	UE2