



# MAJORLITE



## Type E Sign Light

230V

ML-E-LED230

### Specification:

Conforms to BS EN 12899-1:2007

Case material: Aluminium, powder coated grey or black as standard  
 Lens material: High impact frosted PETG hinged lens  
 Ingress protection: IP56  
 Corrosion resistance: SP1  
 Fixings: Anti-corrosion & anti-rotational

Mounting options: Standard outreach 825mm  
 Bracket arm options available for 89, 140, 168mm posts  
 Bespoke mild steel electroplated bracketry

Compatibility: Photocell (optional)  
 CMS / DALI (optional)

Gear Tray: High performance LED driver,  
 30 LED gear tray complete with quick connect plug + socket

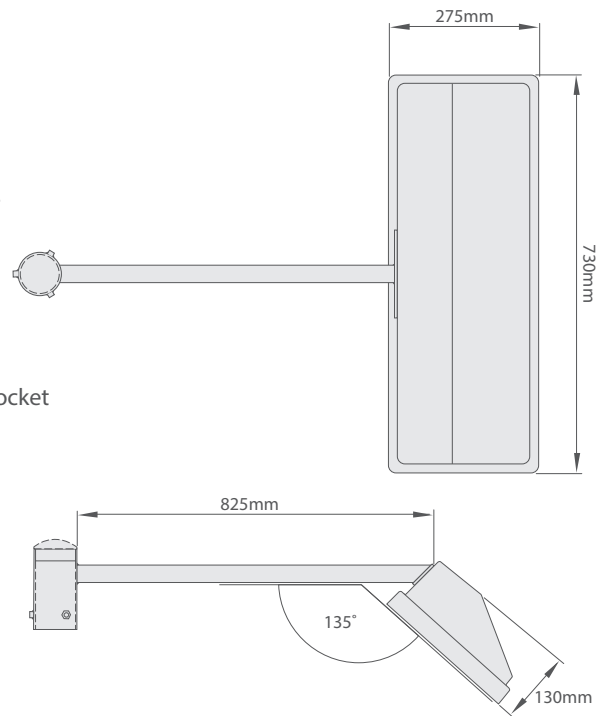
Nominal life expectancy: 50,000+ hrs.  
 Voltage: 230 VAC  
 Power consumption: 37.2 w  
 Power factor correction:  $\geq 0.95$   
 Colour rendering index: RA60

Charge code: .. .. .

Recyclable: Yes

Warranty: [www.mallatite.co.uk/certificates-warranty](http://www.mallatite.co.uk/certificates-warranty)

Maintenance: Clean external surfaces with diluted mild detergent as required, paying particular attention to the lens and photocell window.



### Lighting performance (2400 x 2130mm)

Mean illuminance: E2  
 Uniformity of illuminance: UE1